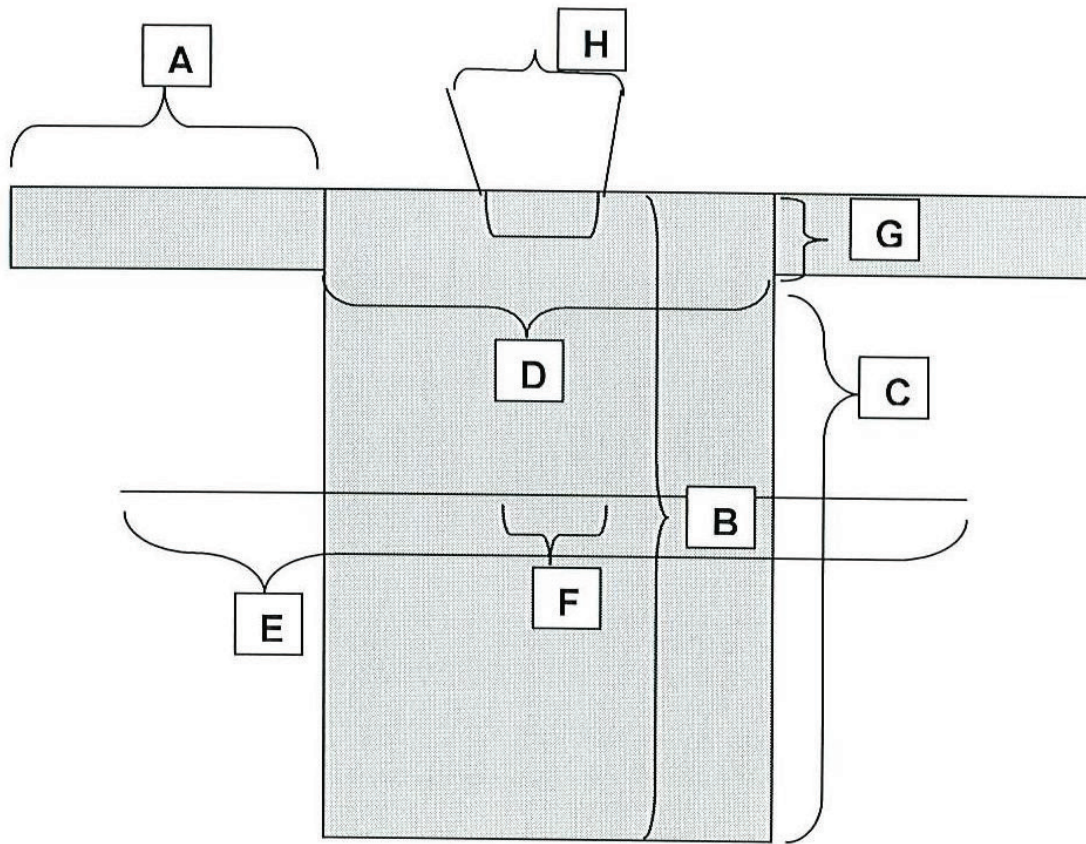


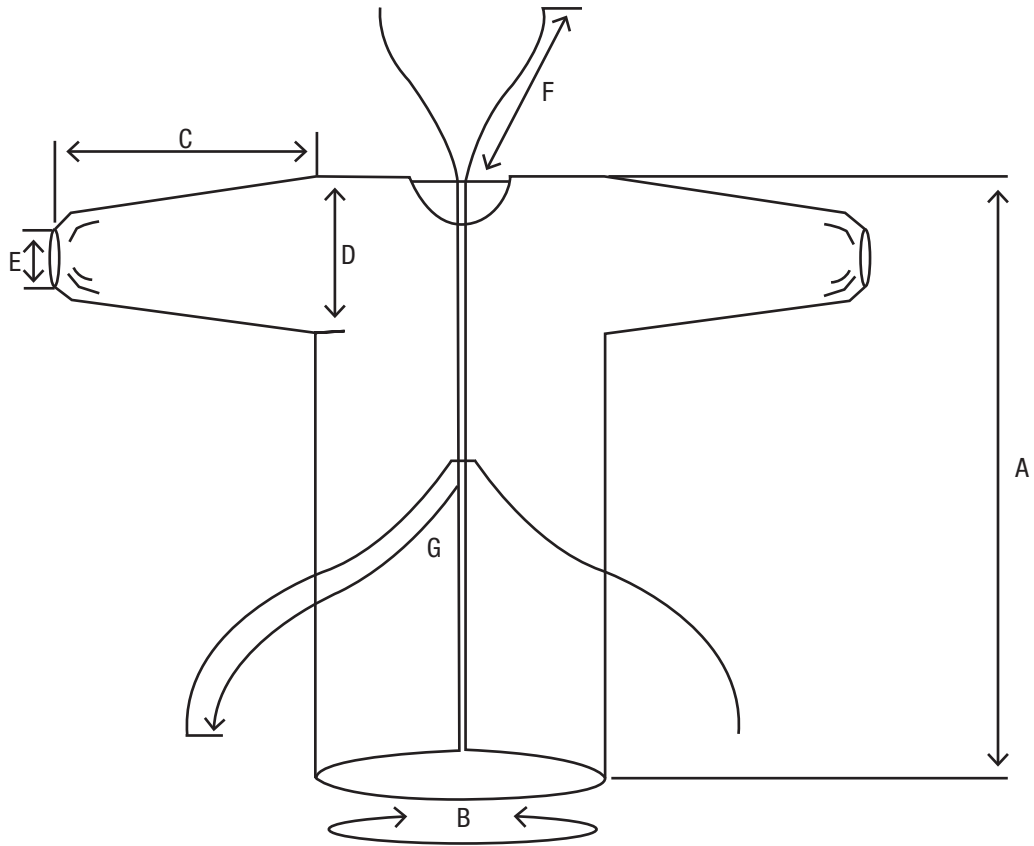
# ITEM 2141

## ISOLATION GOWN DIMENSIONS



Item	Code	Size
Arm, Left	A	23.5"
Body length (Shoulder to bottom)	B	45"
Length (Armpit to bottom)	C	35"
Width (Left armpit to right armpit)	D	27"
Waist Ties (Tip to tip)	E	70"
Waist Ties (Stitched in)	F	3"
Shoulder to armpit	G	10"
Collar tie (Tip to tip)	H	48"
Individual Folded (No bag)		11.5x10"

# ITEM 2144, 2145, 2146 & 2148 ISOLATION GOWN DIMENSIONS



Reorder No.	ITEM	A	B	B	D	E	F	G
2144	SM	41.3"	49"	16.5"	9.8"	3-6.7"	9.8"	25.6"
2145	LG	45.3"	53"	18"	9.8"	3-6.7"	11.8"	29.5"
2146	2XL	49"	59"	19.7"	10.6"	3-6.7"	11.8"	33.5"
2148	7XL	59"	75"	23.6"	11.8"	3-6.7"	15.75"	37"